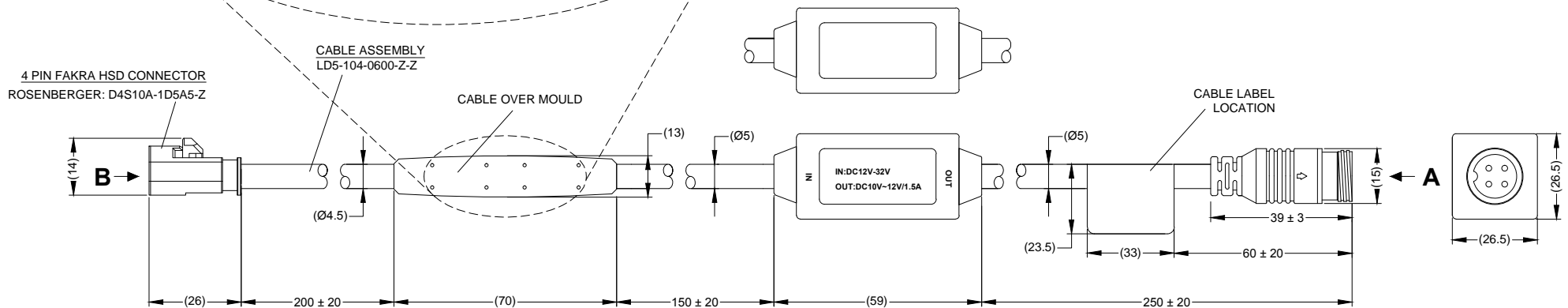
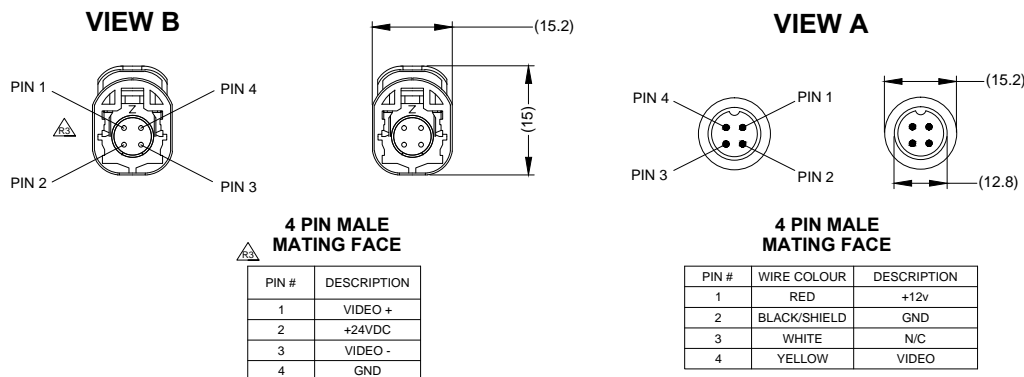
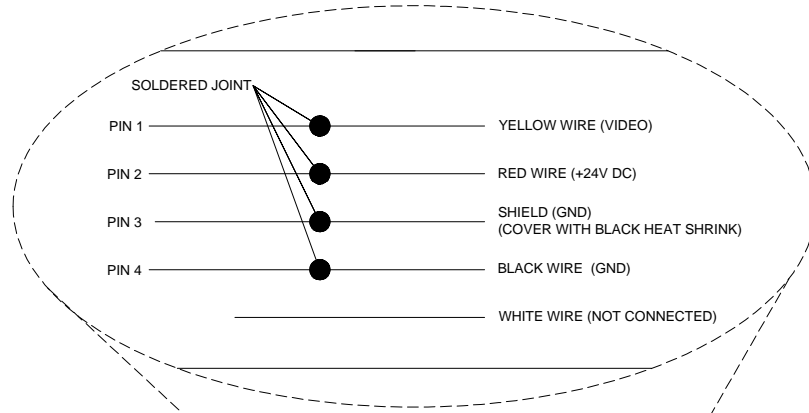


CHANGES FROM BASE PRODUCT AC-24-12(001) (4235) TO AC-24-12(004) (4281)

- CHANGE:
1. REPLACE 4 PIN MALE MINI DIN CONNECTOR WITH OVER MOULDED CABLE ASSEMBLY.
  2. APPLY AC-24-12(004) CBL-LBL OVER MODEL NUMBER AND PART NUMBER ON AC-24-12(001) CBL-LBL.
  3. REPLACE AC-24-12(001) GB-LBL WITH AC-24-12(004) GB-LBL

OPERATION: 1. NO AUDIO.

Revision Notes.				
R1 - FAKRA PART NUMBER CHANGES				
APA: -	Drawn: P.MISSEN	Checked: R.BATES	Approved: B.CHILDS	Date: -
R2 - PIN TABLE CHANGES				
APA: S.ATTWOOD	Drawn: P.MISSEN	Checked: R.BATES	Approved: B.CHILDS	Date: 13/01/15
R3 - VIEW B PINOUT ORDER CORRECTED				
APA: S.ATTWOOD	Drawn: M.POTTER	Checked: R.BATES	Approved: D.WALLIN	Date: 10/04/15



- NOTES:
1. CABLE ASSEMBLY INCORPORATES 4 PIN FAKRA HSD CONNECTOR.
  2. FOR CABLE LABEL REFER TO LATEST REVISION OF DRAWING BE-003025-XX-14 & BE-1500-XX-11.
  3. FOR GIFT BOX LABEL REFER TO LATEST REVISION OF DRAWING BE-003024-XX-14.
  4. 24Vdc TO 12Vdc VOLTAGE REGULATOR ENCASED IN MOLDED BLOCK.
  5. MAXIMUM OUTPUT CURRENT 1.5 AMPS.
  6. ARROW MUST LINE UP WITH CONNECTOR LUG.
  7. COMPATIBLE WITH MAN FITTED WITH BOSCH MMT MONITOR. REFER TO MANUFACTURERS GUIDELINES FOR OTHER MODELS.
  8. FOR CONNECTION POINTS PLEASE REFER TO VEHICLE MANUFACTURERS GUIDELINES.
  9. VEHICLE MUST HAVE MANUFACTURER'S FACTORY MONITOR PRE-INSTALLED.
  10. VEHICLE MAY NEED TO BE PROGRAMMED TO ENABLE MONITOR FUNCTIONALITY.
  11. DO NOT SHORT CIRCUIT.

**PROPRIETARY NOTICE**  
 THIS DESIGN AND TECHNICAL INFORMATION APPEARING ON THIS DRAWING IS THE PROPERTY OF BRIGADE ELECTRONICS, AND IS DISCLOSED IN CONFIDENCE. IT IS NOT TO BE COPIED, REPRODUCED, REVEALED TO OR EXPROPRIATED BY OTHERS, EITHER IN WHOLE OR IN PART WITHOUT THE EXPRESS WRITTEN CONSENT OF BRIGADE ELECTRONICS.



Assembly Pl Approval J.FULLER 19/11/14	Approved by G.PLITH	Checked by B.CHILDS	Drawn by P.MISSEN
Angle of Projection Third Angle	Units mm	Scale N/A	Released 21/11/14
Status RELEASED		Assembly Ref AC-24-12(004)	
Part No 4281		BE-002208-03-14	